

MTG-GL-168

REPLACES
DRAWING NUMBER
AO 18-38

ISSUE
11

REVISIONS

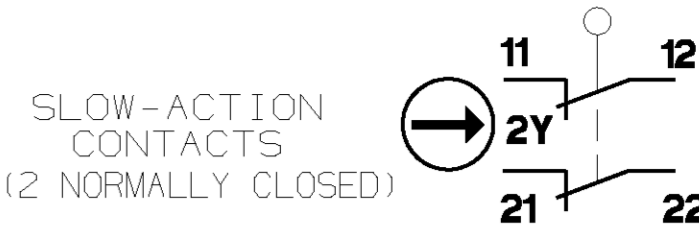
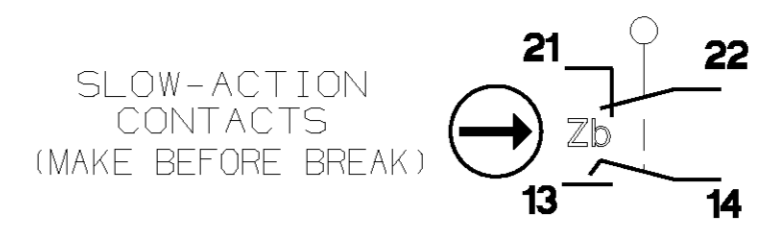
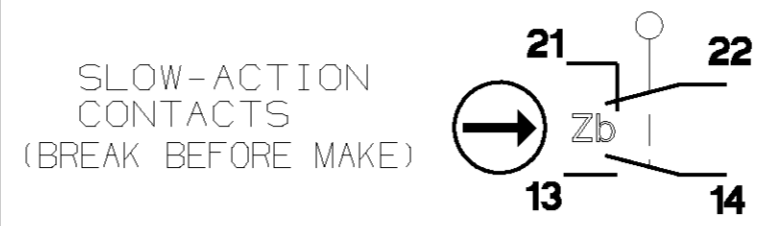
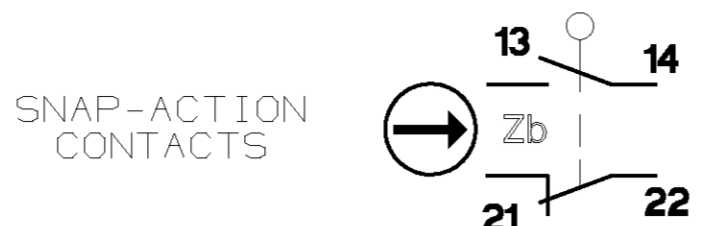
6	9/96
AO 18-275	
7	12/96
AO 18-293	
8	7/97
CO-000083	
9	8/97
CO-000106	
10	CO/395
I WEIR 6/98	
11	PM 03/05
0011918	

DRAWN
M. LOCH
CHECK
I. WEIR
DESIGN
J. BOYD
AUTHOR/P. P. TRICKETT
MODIFY ON CAD SYSTEM ONLY

Honeywell

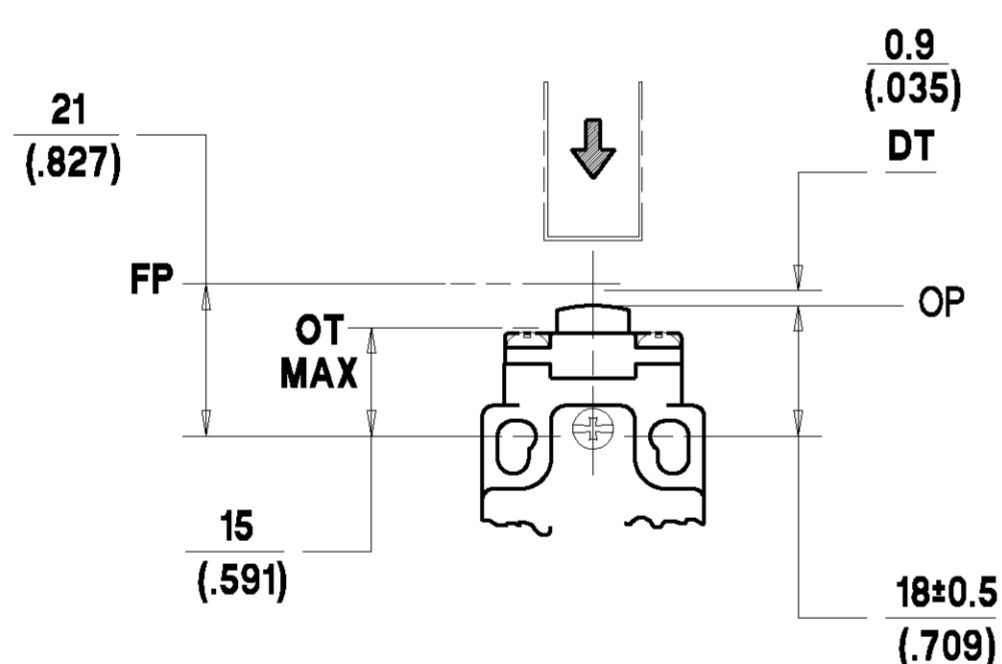
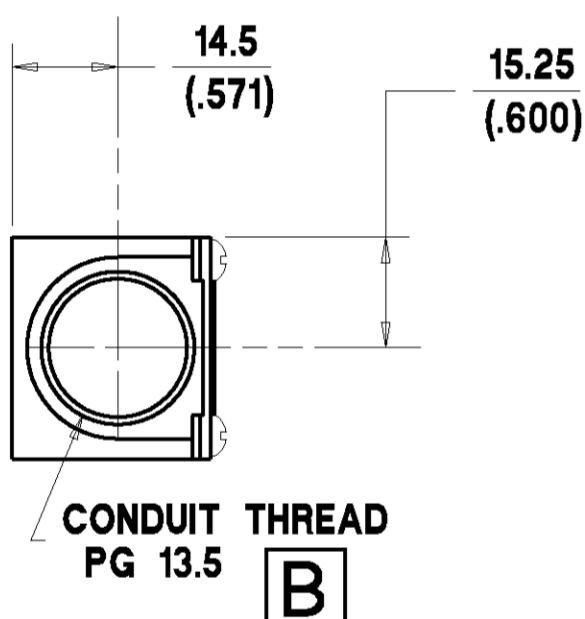
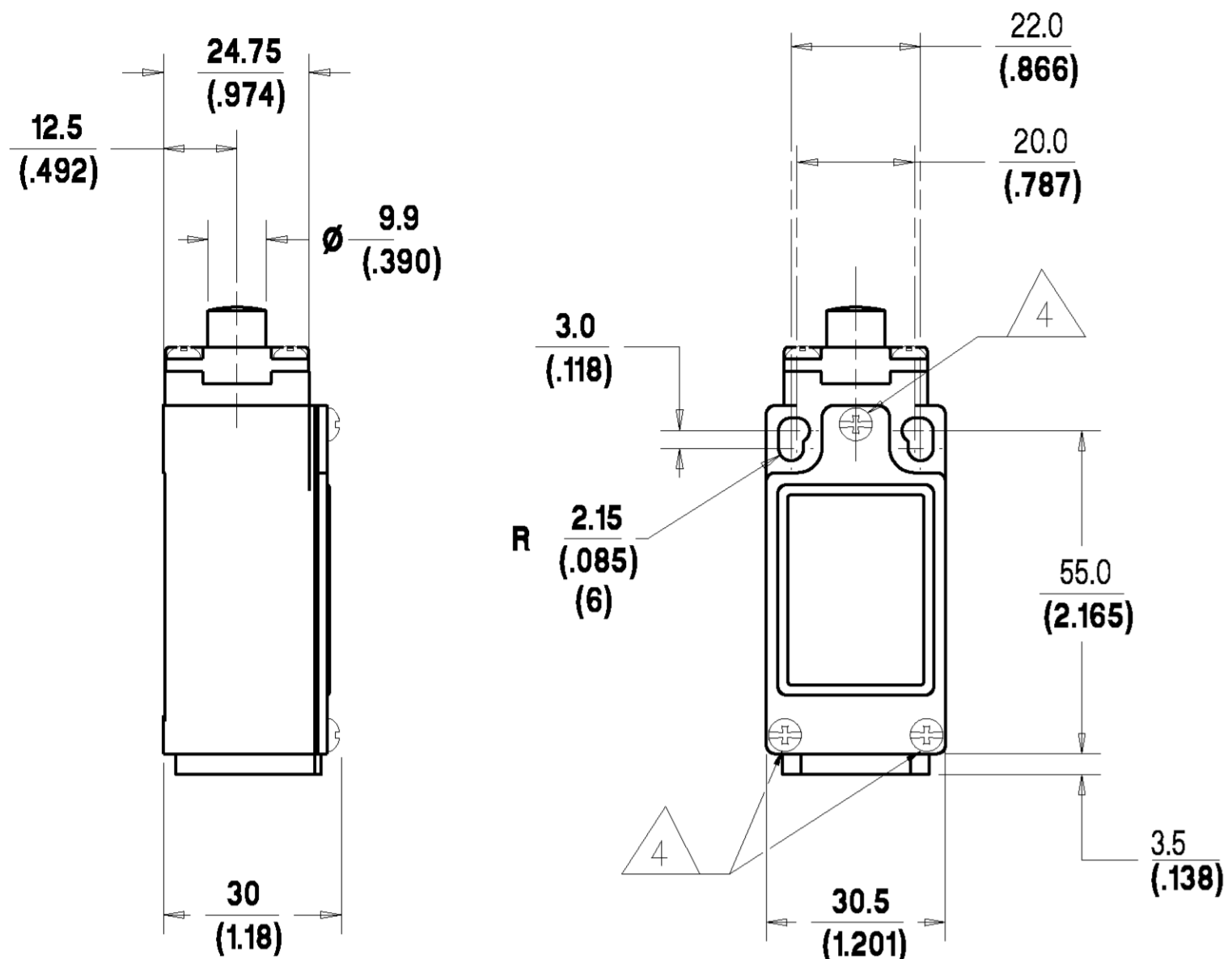
LIMIT SWITCH

CATALOGUE LISTING
GLS
CHART NO.
MTG-GL-168



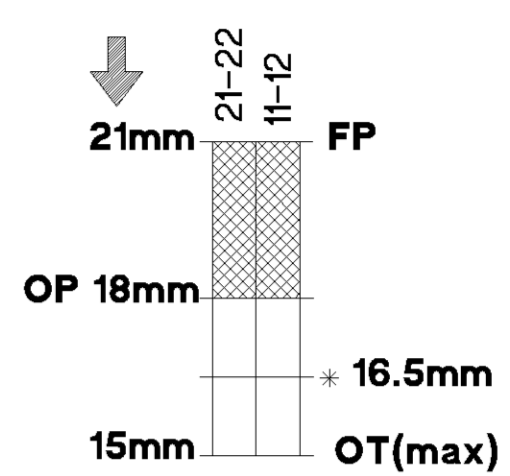
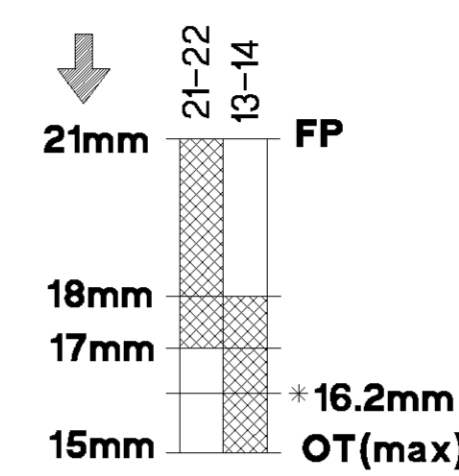
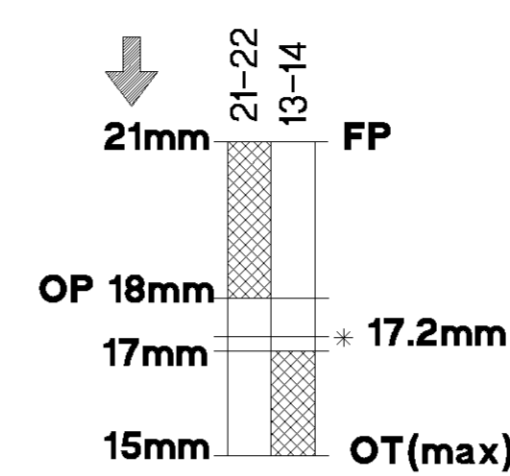
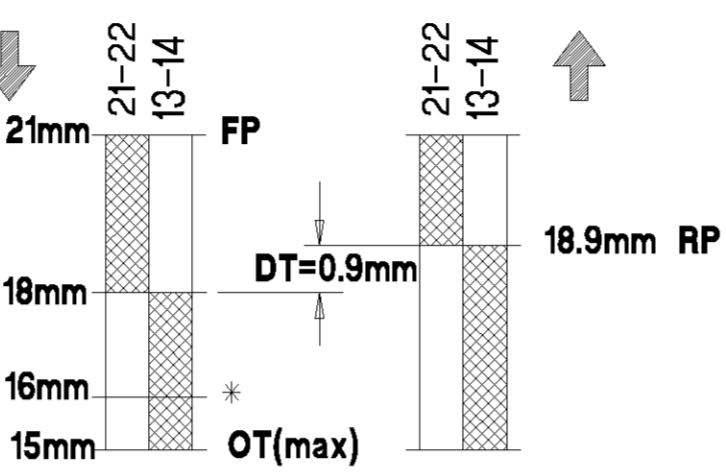
CONTACT BLOCK
DIAGRAM
TERMINAL
DESIGNATION
TO EN 50013

FIG. 1



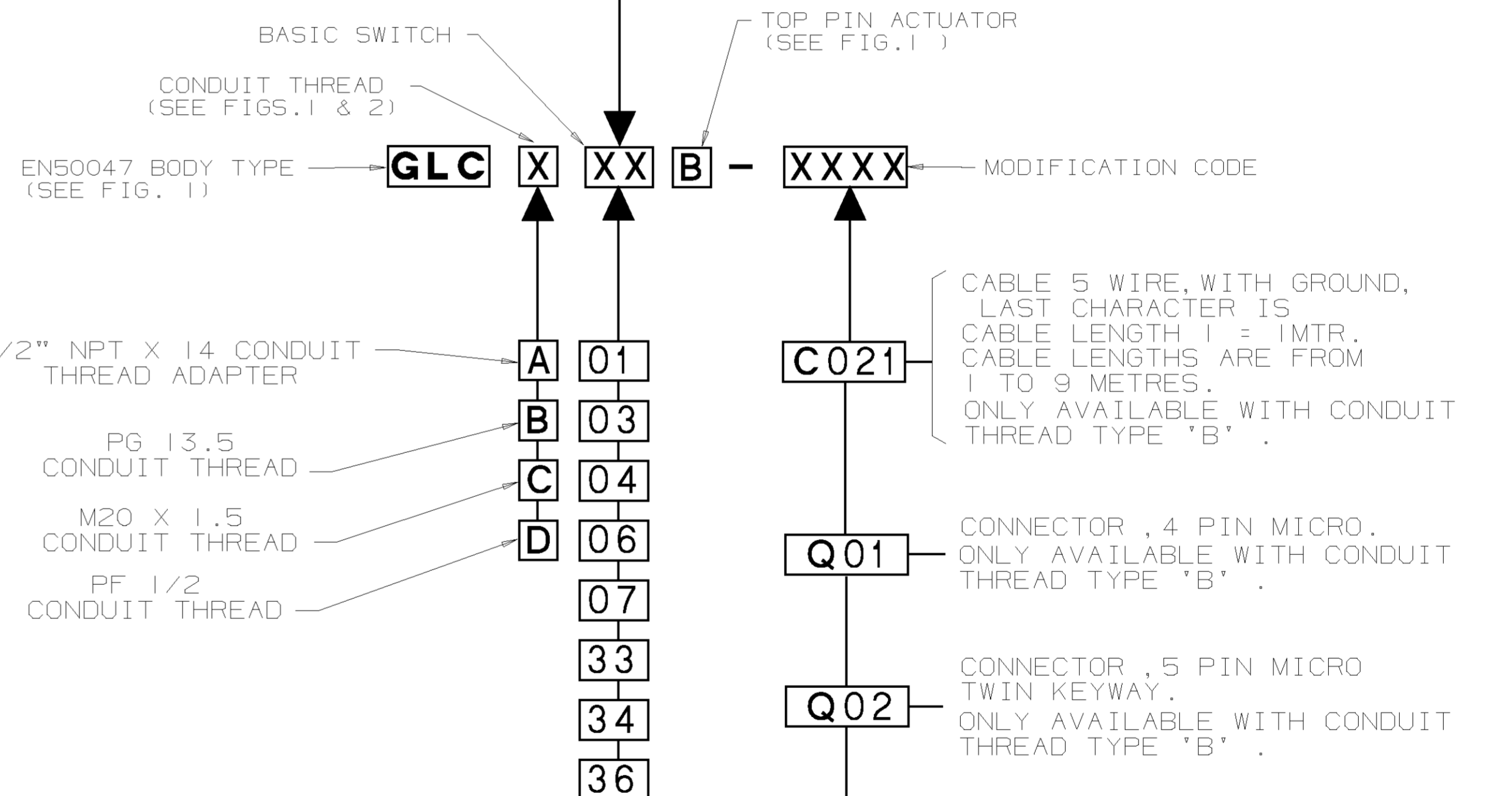
- NOTES:-
- ZINC DIECAST BODY AND HEAD WITH STEEL COVER. BODY AND COVER FINISHED IN MICRO SWITCH BLUE EPOXY PAINT. HEAD FINISHED IN BLACK EPOXY PAINT.
 - MINIMUM OPERATING VELOCITY (V_{min}) = 1.0 MM/S (THESE LIMITS APPLY TO CAM OPERATION AS SHOWN IN THE ABOVE DIAGRAMS ONLY)
MAXIMUM OPERATING VELOCITY (V_{max}) = 100 MM/S
MAXIMUM OPERATING FREQUENCY (F_{max}) = 250 OPS/MIN
 - FREE POSITION (FP), OPERATING POINT (OP), OVERTRAVEL (OT) AND PRETRAVEL (PT) ALL TO EN50047.
 - MAXIMUM TIGHTENING TORQUE FOR FIXING SCREW = 0.5Nm (4.4in.LB)

NO CHANGES CAN BE MADE TO THIS DRAWING WITHOUT JOINT NEWHOUSE/FREEPORT APPROVAL



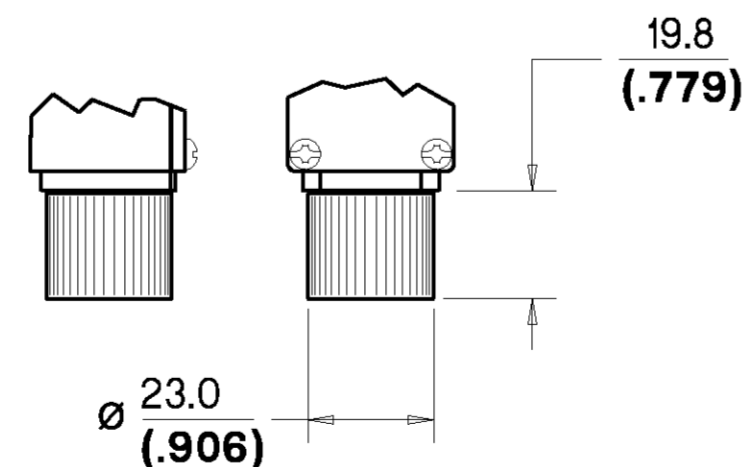
NOMINAL TRAVELS AND RELATED TERMINALS
CONTACT CLOSED
CONTACT OPEN
* POSITIVE OPENING TO IEC 947-5-1-3

16 (3.6)	14 (3.2)	16 (3.6)	13 (2.9)
23 (5.2)	24 (5.4)	27 (6.1)	23 (5.2)
01 OR 07	03 OR 33	04 OR 34	06 OR 36



NOTE:- ANY STANDARD LISTING WITH SUFFIX 'RS' OR 'FE' IS PERMITTED.

FIG. 2



1/2" NPT X 14 CONDUIT
THREAD ADAPTER
A

STANDARD SILVER CONTACTS	GOLD PLATED CONTACTS	ENVIRONMENTAL		APPROVALS
ELECTRICAL RATING		ENVIRONMENTAL		UL IEC 947-5-1 EN50047
AC A300 AC15 Ue Ie	DC 0300 DC13 Ue Ie	IP66 NEMA 1, 4, 12, 13 TEMP RANGE : -25°C TO 85°C -13°F TO 185°F STORAGE : -40°C TO 85°C -40°F TO 185°F		
VOLTS AMPS 120 6 240 3	VOLTS AMPS 125 0.55 250 0.27	I _{th} = 10A 1V 10µA MIN. 50V 100mA MAX.		
SHOCK : 50G PER IEC 68-2-27 VIBRATION : 10G PER IEC 68-2-6				

NOTE FOR CONNECTION DIAGRAMS AND ADDITIONAL ELECTRICAL, ENVIRONMENTAL & DIMENSIONAL INFORMATION SEE DRAWING GL-49212

THE COPYRIGHT OF THIS DRAWING IS THE PROPERTY OF HONEYWELL LTD. THE DRAWING IS SUPPLIED IN CONFIDENCE AND MUST NOT BE USED FOR ANY PURPOSE OTHER THAN THAT FOR WHICH IT IS SUPPLIED.